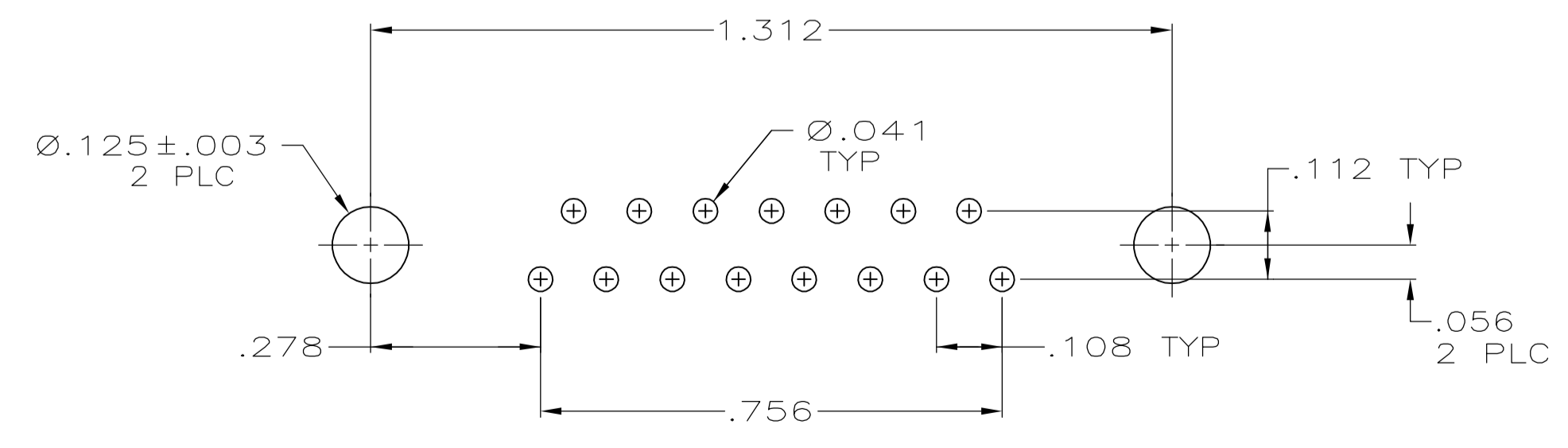
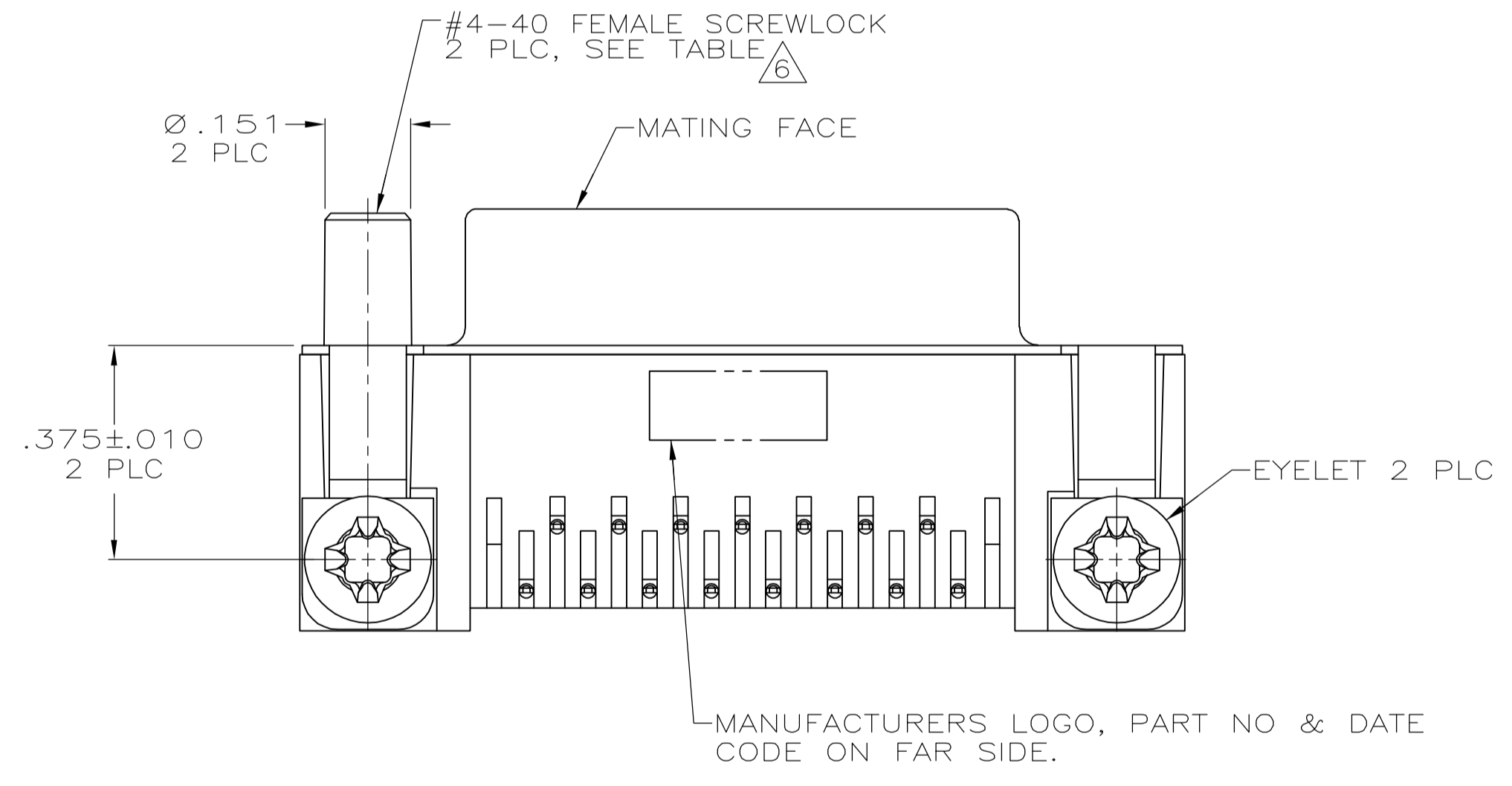
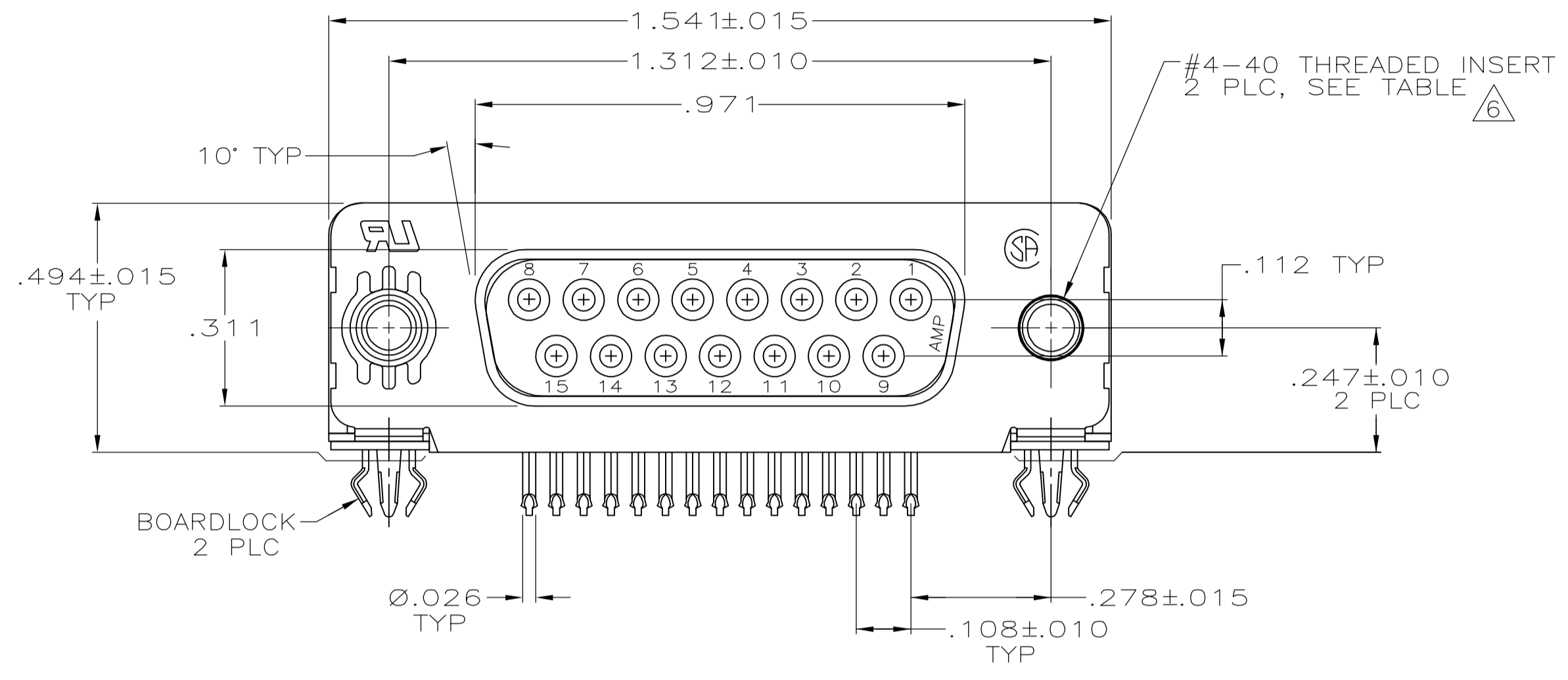


LOC		DIST		REVISIONS			
P	LTR	DATE	BY	APP'D	REV	DATE	BY
A		27JUN06	BM	SB			



PC BOARD MOUNTING DIMENSIONS

1. CONNECTOR MATES WITH ANY 25 POSN PLUG IN AMPLIMITE SERIES.
2. MOLDED PARTS: FLAME RETARDANT 94V-0 RATED THERMOPLASTIC, BLACK.  
SHELL: CARBON STEEL.  
CONTACTS: PHOSPHOR BRONZE.  
EYELETS: BRASS.  
SCREWLOCKS: ZINC.  
INSERTS: ZINC.  
BOARDLOCKS: COPPER ALLOY.
3. SHELL: .000100 MIN TIN OVER .000050 MIN COPPER.  
CONTACTS: SEE TABLE.  
EYELETS: .000100 MIN TIN OVER COPPER FLASH.  
BOARDLOCKS: .000150 MIN TIN OVER .000050 MIN NICKEL.  
INSERTS AND SCREWLOCKS: CLEAR CHROMATE.
4. GOLD FLASH FOR A DISTANCE OF .100 MIN FROM MATING END, .000100 MIN TIN ON TERMINATION END, ALL OVER .000050 MIN NICKEL ON ENTIRE CONTACT.
5. .000030 GOLD FOR A DISTANCE OF .100 MIN FROM MATING END, .000100 MIN TIN ON TERMINATION END, ALL OVER .000050 MIN NICKEL ON ENTIRE CONTACT.
6. SCREWLOCKS & INSERTS WILL WITHSTAND 6 IN-LBS TORQUE & 20 LBS PULL OUT FORCE FROM MATING FACE SIDE.
7. DIMENSION APPLIES FROM CENTER OF CONTACTS.
8. SPECIAL PACKAGING REQUIRED.

THREADED INSERTS	5	1-5747845-1
FEMALE SCREWLOCKS	5	5747845-6
FEMALE SCREWLOCKS	4	5747845-5
THREADED INSERTS	5	5747845-4
THREADED INSERTS	4	5747845-3
OBSOLETE	5	5747845-2
MOUNTING HARDWARE	CONTACT FINISH	PART NUMBER

THIS DRAWING IS A CONTROLLED DOCUMENT.

DIMENSIONS: INCHES	TOLERANCES UNLESS OTHERWISE SPECIFIED:	DIN L VARELA - DOCKS 04-05-05	CHK S BOLASH 04-05-05	AP'D M WALMSLEY 04-05-05	NAME	RECEPTACLE ASSEMBLY, SIZE 2, 15 POSITION, RIGHT ANGLE, FRONT METAL SHELL, .318 SERIES, .026 DIA POSTS, BOARDLOCKS, AMPLIMITE HD-20
0 PLC ± -	1 PLC ± -	2 PLC ± -	3 PLC ± .005	4 PLC ± -	ANGLES ± °	FINISH
MATERIAL	FINISH	SIZE	CAGE CODE	DRAWING NO	RESTRICTED TO	
		114-40010	A1	00779	5747845	
CUSTOMER DRAWING		SCALE	4:1	SHEET	1 OF 1	REV
						A

THIS DRAWING IS A CONTROLLED DOCUMENT. Tyco Electronics Corporation, Harrisburg, PA 17105-3608